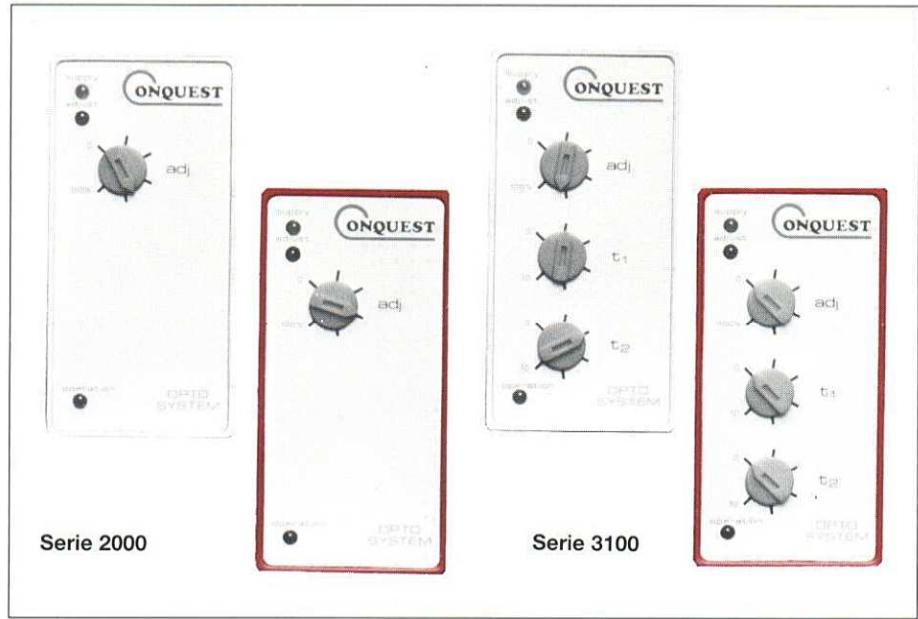
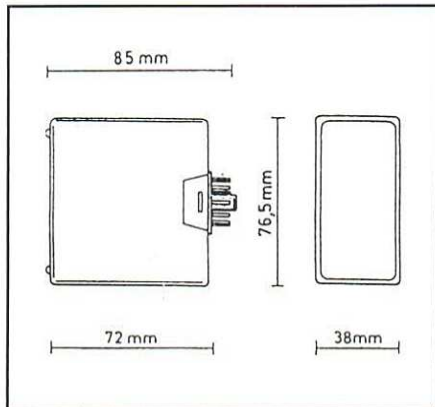


Amplifiers

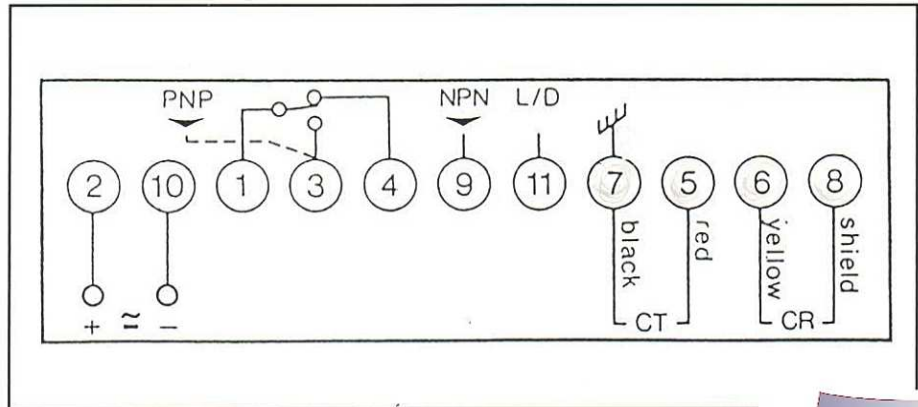


TYPES	C2000	C2001	C2002	C3100	C3102
Supply options	24 VAC/DC 230 VAC	24 VAC/DC 230 VAC	24 VDC	24 VAC/DC 230 VAC	24 VDC
Output	Relay NPN	Relay	PNP NPN	Relay NPN	PNP NPN
Automatic self-adjustment and RELATIVE sensitivity (Add A to type number)	YES	YES YES	YES	YES	
Time delay	-----			on/off delay t1, t2, = 0-10 sek.	
Load	Relay max. 8 A, NPN/PNP max. 100 mA at 30 VDC				
Response time	Relay output = 25 mSek., NPN/PNP output = 10 mSek.				
Ambient temperature	- 20 °C.....+ 60 °C				
Housing	Noryl (grey and red)				

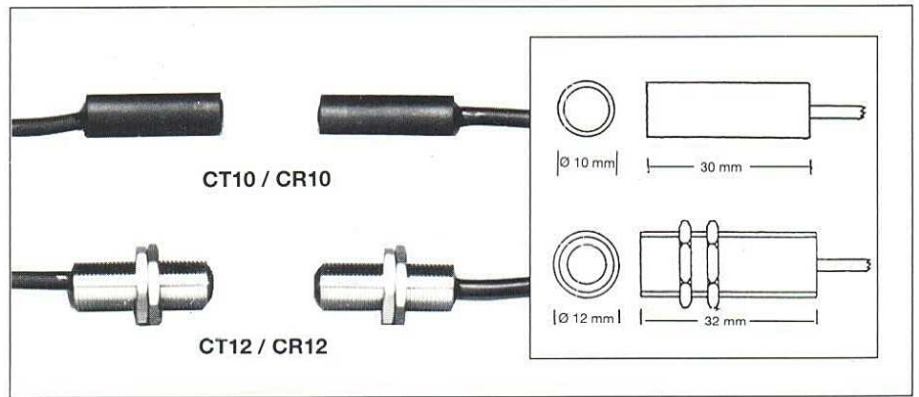
Dimensions



Connection diagram



Transmitter CT and receiver CR for amplifier



TYPES	CT10	CR10	CR10B	CR10C	CT12	CR12	CR12B	CR12C
Sensing distance								
Through-beam:	-	20 M	10 M	5 M	-	20 M	10 M	5 M
Diffuse reflection:	-	2 M	1 M	0,5 M	-	2 M	1 M	0,5 M
Retroreflective:	-	10 M	5 M	1 M	-	10 M	5 M	1 M
Housing	Noryl (black)				Acid-resistant stainless steel			
Ambient temperature	- 20 °C.....+ 70 °C							
Protection	> IP 67							
Cable	5 m - 10 m - or 15 m standard shielded							

www.landemilia.it

info@landemilia.it



Other types and length of cable by request!